

Datasheet

Compatt 5 Wideband Transponder - Mini



Description

Faster set up and calibration, greater equipment utilisation and reduced risk. These are just some of the cost saving benefits of the latest range of Compatt 5 Wideband transponders from Sonardyne.

All Medium Frequency Compatt 5s now incorporate Wideband Technology which uses advanced digital signalling techniques to dramatically improve the performance of acoustic positioning, navigation and telemetry systems.

The faster and more rugged wideband telemetry scheme supported by Compatt 5, enables baseline measurement and calibration data to be acquired faster and more reliably, allowing users to begin work sooner.

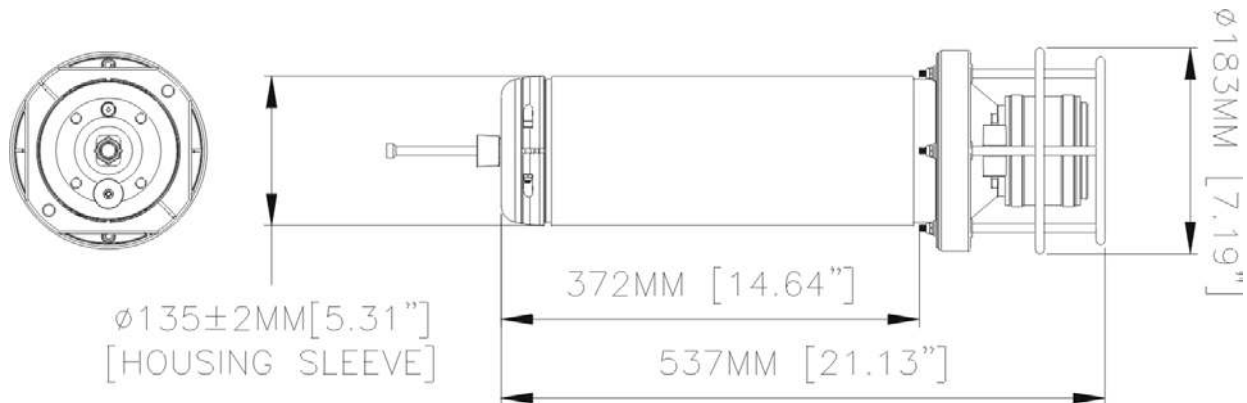
As with all Compatt 5 transponders it can be used as a high power ROV responder.

Key Features

- Omni or Directional transducers
- MF operating frequency
- Depth rated to 3000 Metres (Options for 5000 Metres and 7000 Metres)
- Incorporates Sonardyne's latest Wideband Technology
- Multiple operating modes; tone burst and wideband
- Hundreds of operating channels allowing truly independent acoustic operations
- Small, lightweight design for easy installation on subsea structures
- Lithium battery pack
- Faster remote tracking of seabed structures
- Easy to upgrade

Specifications

Compatt 5 Wideband Transponder - Mini



Feature	Type 8003	Type 8000
Depth Rating	3,000 Metres	3,000 Metres
Operating Frequency	MF (18-36kHz)	MF (18-36kHz)
Transducer Beamshape	Directional	Omni-Directional
Transmit Source Level (dB re 1µPa @ 1m)	190-202dB (3 Levels)	185-192dB (3 Levels)
Receive Sensivity (dB re 1µPa)	80-120dB (4 Levels)	90-120dB
Relative Positioning Accuracy *	±5cm	±5cm
Number of Unique Addresses (Wideband)	224	224
Number of Unique Addresses (Tone)	All Sonardyne & Simrad	All Sonardyne & Simrad
Battery Life (Listening, Disabled)	417 days (Lithium)	417 days (Lithium)
Dimensions (LxDia)	546mm x 135mm	566mm x 135mm
Weight In Air	13.1kg	11.0kg
Weight in Water	6.3kg	5.0kg

Endcap Sensors and Options

Temperature (±0.1°C)	Not Available	Not Available
Tilt Switch (±30-45°)	Standard	Standard
Strain Gauge Pressure Sensor (±0.1%)	Not Available	Not Available
DigiQuartz Pressure Sensor (1350m, 2000m, 3000m)	Not Available	Not Available
High Accuracy Inclinometer	Not Available	Not Available
Range: ±90°, Accuracy: ±0.05° over 0 - ±15°; ±0.2° over 0 - ±45°		
Sound Velocity (±0.06 m/s)	Not Available	Not Available
Gyro Input	Not Available	Not Available
Release Mechanism	Not Available	Not Available
Power for External Sensors	Not Available	Not Available

*Depends on knowledge of sound speed