

Datasheet

Compatt/ DPT Floatation Collar (Directional Units Only)



Subsurface floatation collars enable acoustic navigation and positioning transponders to be deployed, moored on the seabed and then recovered to the surface.

Type 5807 is a 5,000 m depth rated floatation collar designed specifically for use with Sonardyne's range of directional Compatt 5 and DPT acoustic transponders. It has improved hydro-dynamic properties, permitting a 50% faster speed of ascent than earlier models, saving vessel time.

The unique shape of the Type 5807 floatation collar allows a transponder to be installed such that the unit is acoustically shielded from localised noise interference and also afforded increased protection from accidental physical damage whilst deployed.

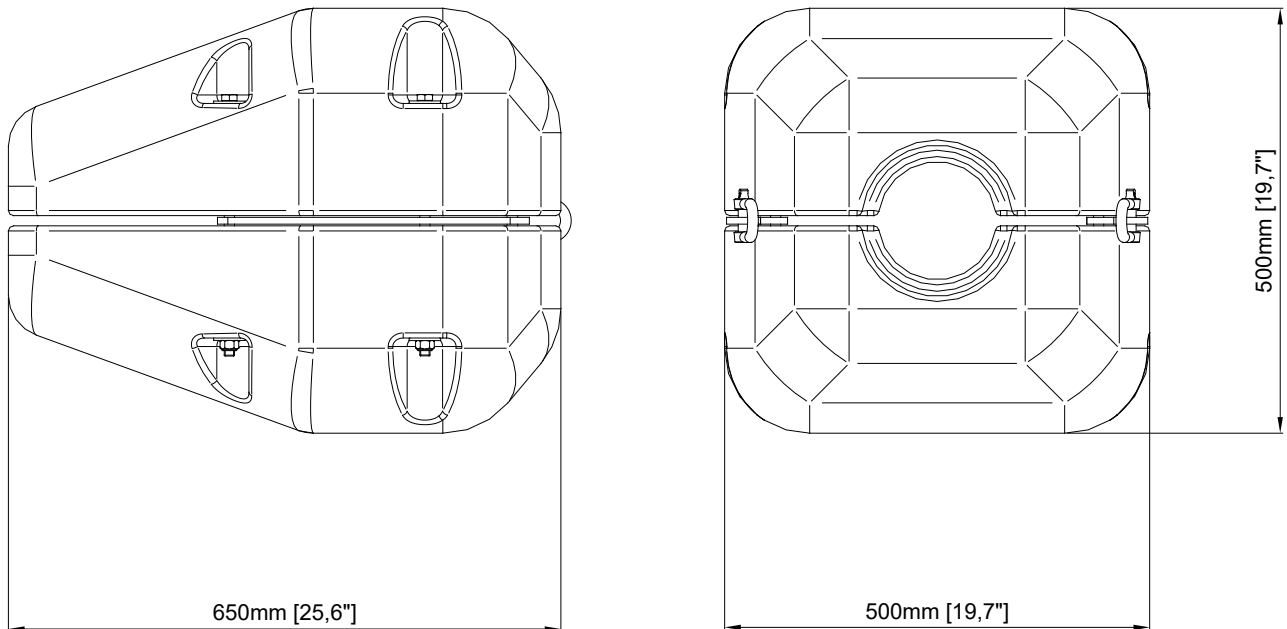
Each float assembly comes in two halves and is clamped around a Compatt or DPT transponder using stainless steel fixings. Bright colours ensure good visibility, either when viewed underwater from an ROV's camera or when on the surface prior to recovery.

Key Features

- Depth rated to 5,000 m
- Manufactured from syntactic foam core encapsulated within a high visibility polyethylene coating
- Provides reliable long term deployment and recovery of Sonardyne Compatt 5 and DPT transponders when fitted with directional transducers
- Unique hydrodynamic shape provides fast, stable ascent to the surface
- Weight in Air: 61 kg
- Nett Buoyancy: 35 kg

Specifications

Compatt/ DPT Floatation Collar (Directional Units Only)



Feature	Type 5807
Depth Rating	5,000 m
Weight in Air	61 kg
Nett Buoyancy	35 kg
Dimensions (Length x Width x Depth)	650 x 500 x 500 mm
Ascent Rate	1.5 m/s (typical)
Part Number	870-0000