

Datasheet

Sentinel Sonar Seabed Deployment Frames



Sentinel deployment frames are available as either standard (Type 8165-015-01) or lightweight (Type 8165-013-01) versions; both of which allow deployment of the Field Portable Sentinel Sonar Head (620-0005) for expeditionary or temporary installations.

Both frames are constructed of high-grade aluminium and have user replaceable sacrificial zinc anodes attached to prevent corrosion. The frames break down into manageable pieces – each weighing less than 8 kg – and are easily reassembled, with the lightweight frame using only one nut.

Frames are supplied with a single 5 kg (11 lb) weight per leg, but, in severe conditions additional weights can be easily added.

An optional mud plate (800-0060) can also be attached to the base of the frame to prevent the system from sinking when deployed on a soft seabed.

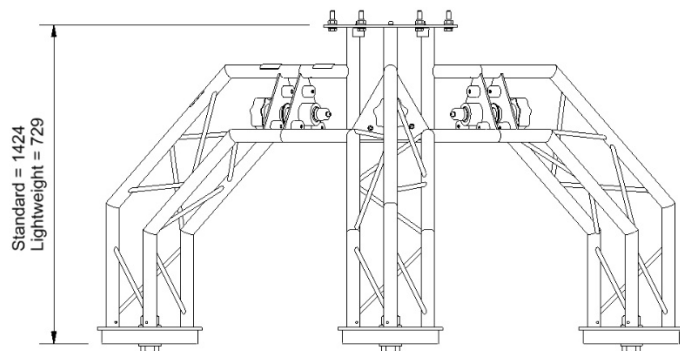
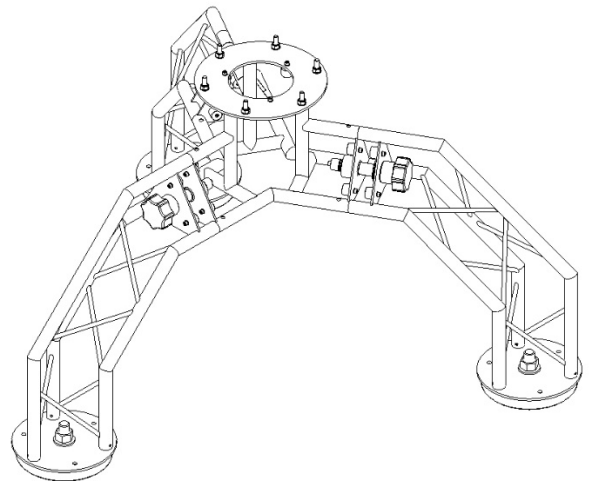
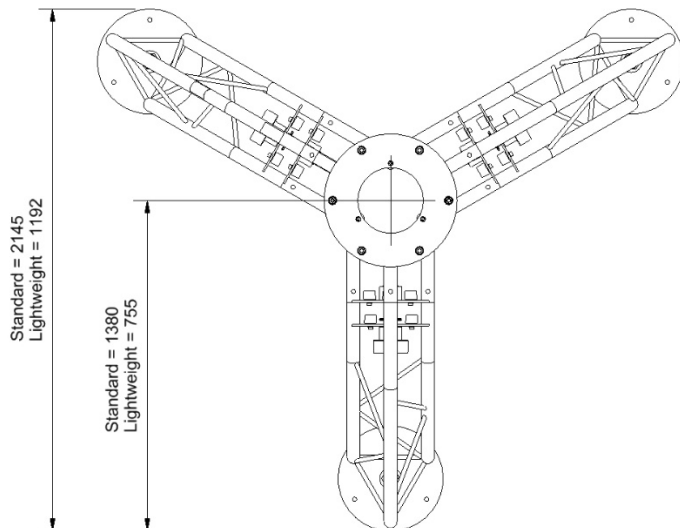
Using the deployment strops (231-0364) the frame can be lowered onto the seabed by hand or by using a small davit or crane.

Key Features

- Rapid deployment
- Lightweight all aluminium construction
- Two sizes available
- Breaks down into easily manageable components
- Optional mud plate

Specifications

Sentinel Sonar Seabed Deployment Frames



Feature	Type 8165-015-01 Standard Frame	Type 8165-013-01 Lightweight Frame
Dimensions (Width x Height)	2,145 x 1,424 mm	1,192 x 729 mm
Weight in Air	31 kg + optional foot weights	16 kg + optional foot weights
Number of Sections	7	4
Options	Part no: 800-0060 – Soft Seabed Plate Part no: 266-0005 – 5 kg Foot Weight Part no: 266-0010 – 10 kg Foot Weight	