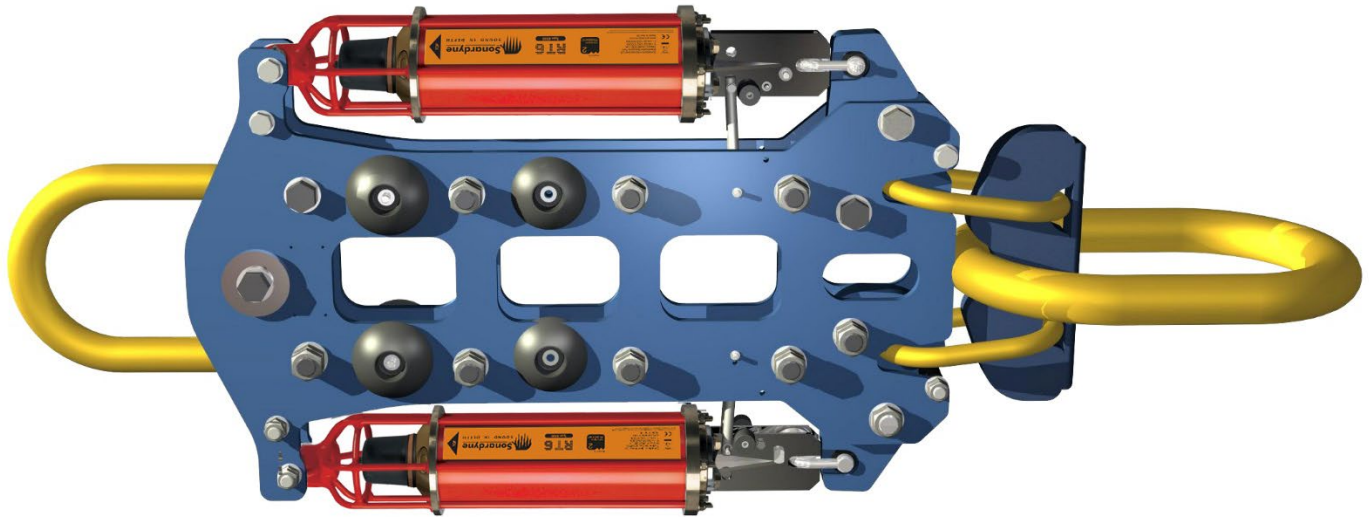


Datasheet

15 Tonne Heavy Duty Acoustic Release Frame



The 7869-000-05 Dual Heavy Duty Acoustic Release Frame has been designed as optional extra for Sonardyne's Type 8320 RT 6-3000 and Type 8321 RT 6-6000 acoustic release transponders.

The release frame increases the Safe Working Load (SWL) of a pair of standard RT 6-3000/6000 to 15,000 kg (at 4:1 safety factor) with a breaking load of 60,000 kg. The system also offers dual redundancy in releasing the load; either of the release transponders fitted to the frame can be commanded to release the load.

The frame can be fitted without any modification to the acoustic release itself and is easily assembled in the field.

Manufactured from high strength steel, which is galvanised and painted, the releases offer excellent corrosion resistance. Depth rating is solely dependent upon the acoustic release being used.

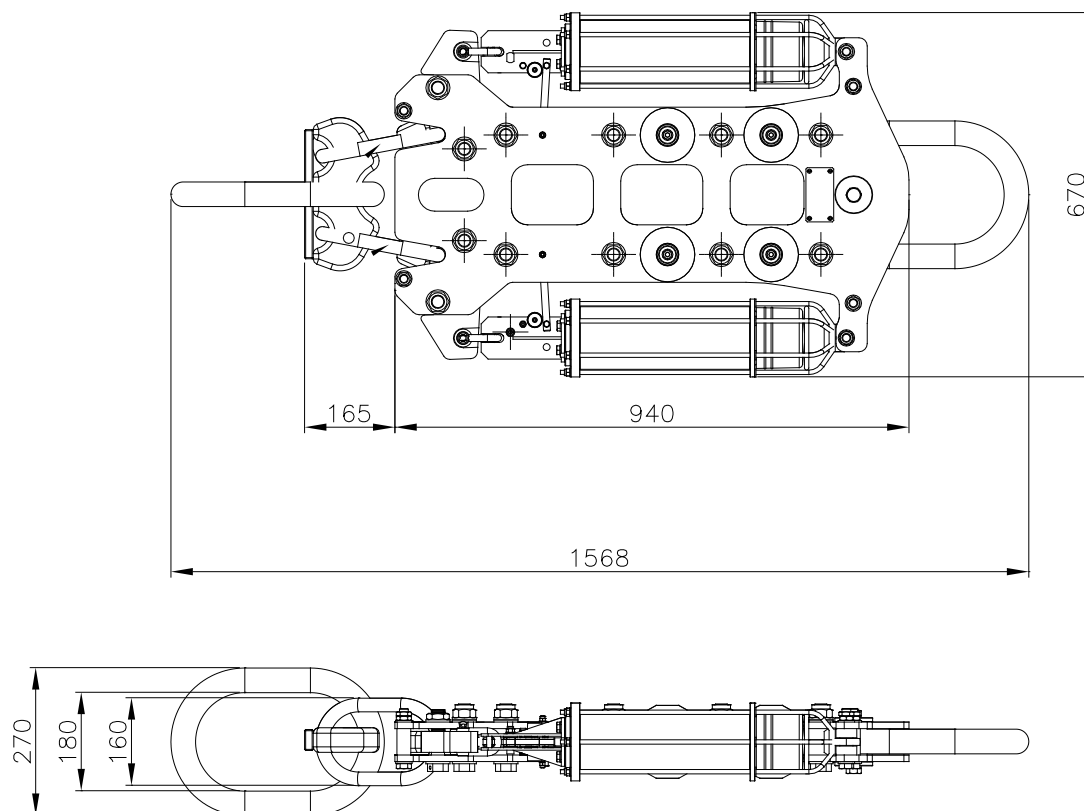
Applications for which the acoustic releases have been developed include construction activities, marine salvage, defence and oceanographic research.

Key Features

- Safe Working Load of 15 tonnes
- Up to 60,000 kg Breaking Load
- RT 6-3000 and RT 6-6000 acoustic release transponders
- Dual redundant acoustics
- Galvanically isolated from acoustic release to maximise corrosion resistance
- Uses Industry standard master links

Specifications

15 Tonne Heavy Duty Acoustic Release Frame



Feature	Type 7869-000-05
Depth Rating (dependant on RT 6-3000/6000)	3,000 m ¹ (RT 6-3000) 6,000 m (RT 6-6000)
Working Load Limit (at 4:1 Ratio)	15,000 kg
Maximum Safe Release Load	11,000 kg
Breaking Load	60,000 kg
Proof Load	30,000 kg
Mechanical Construction	Galvanised steel, painted
Dimensions (with DORT, including lifting rings) (Length x Width x Height)	1568 x 270 x 670 mm (61.7 x 10.6 x 26.4")
Weight of Frame in Air ²	111 kg
Weight of Frame in Air (with a pair of DORTs) ²	155 kg

Ordering Information

Type	Description
7869-000-05	Heavy Duty Acoustic Release Frame (15,000 kg SWL)
8320-3411	RT 6-3000 Release Transponder 6
8321-6415	RT 6-6000 Release Transponder 6

¹ RT 6-3000 is pressure rated to 4,000 m; however, due to operating range constraints of MF, its use at depths greater than 3,000 m is not recommended.

² Estimated weights.

Specifications

15 Tonne Heavy Duty Acoustic Release Frame

Spare master links and lower link assemblies available as spares