
Datasheet

Surface Interface Unit (SIU)



Description

The Type 8038 Surface Interface Unit (SIU) is designed to interface to the family of Sonardyne acoustic transceivers and other sensor packages. It is a rack-mountable unit that supplies power and communications to the system's transceiver.

The SIU is connected to the system PC or laptop via a serial or USB link and requires a 90–260 V AC power supply.

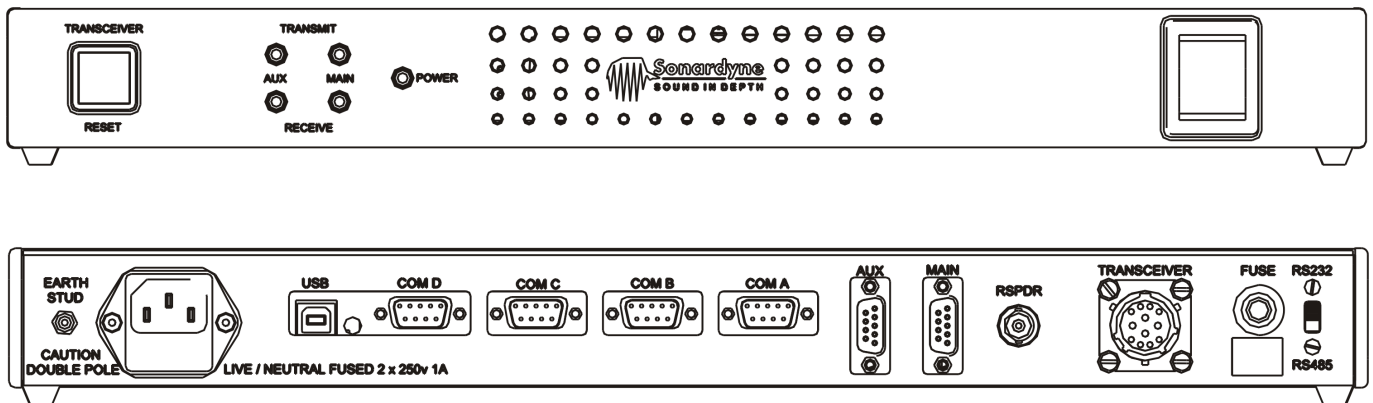
An optional 4x RS232 ports and 1x USB 2.0 port can be added for extra interfacing capacity.

Key Features

- Interfaces all Sonardyne sensors and acoustic transceivers
 - Provides power and communications to the Sonardyne acoustic transceiver
 - Compact, 19" rack-mountable design; only 1U high
-

Specifications

Surface Interface Unit



Feature	Type 8038
Ports	Type 8038-000-03: 2 x serial ports Type 8038-000-02: 6 x serial ports, 1 x USB 2.0
External Inputs	Transceiver, ac power, responder trigger
Power out	48 V dc, 2.0 A max
Power in	90–260 V ac, 50/60 Hz, 200 VA max
EMC	Complies with Immunity & Emission requirements of EN60945
Operating Temperature	+5 to 40°C
Storage Temperature	-10 to 55°C
Dimensions (Length x Width x Height)	432 x 305 x 51 mm (17 x 12 x 2 inches) 1U rack mount
Weight	3 kg